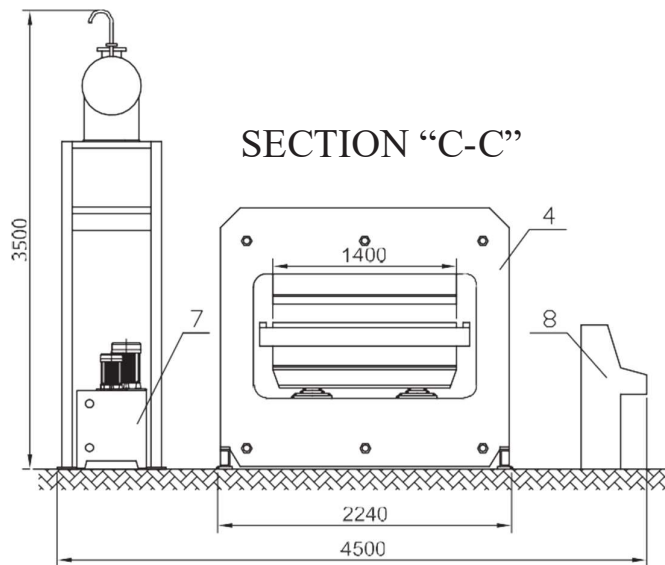
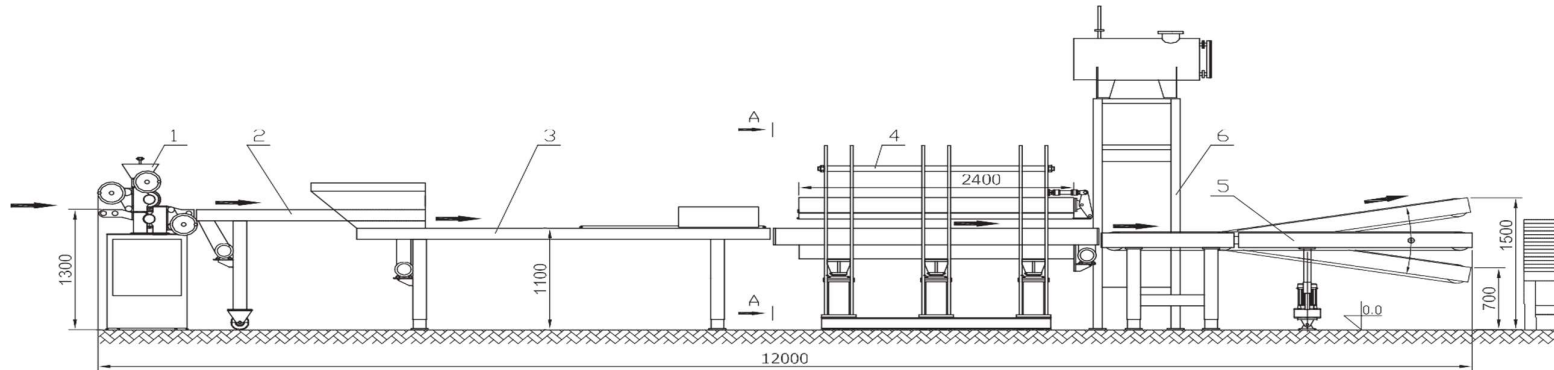




VENEER PLANT

43.23/10.4.1



Purpose:

- Production and door wings veneering, made of wood,
- Flat panel veneering, made, made of wood;

1. Glue spreader
2. Disk conveyer
3. Input conveyer
4. Hydraulic through-feed press
5. Output conveyer
6. Heating unit
7. Hydraulic unit
8. Electro-control box

Main technical data:

Specific pressing pressure	5 daN/cm ²	On request.
Speed movement of pieces	18 m/min	
Heating fluid	thermal oil	
Mode of controlling	automatic / manuel	
Capacity	10÷15 krila/h	
Instaled heating power	60 kW	
Instaled power other device	10 kW	
Electrical connector	3x380 V, 50 Hz	
• • •	• • •	